



# ACURA INSTALLATION INSTRUCTIONS

Accessory

**CARGO NET**  
P/N 08L96-STK-200

Application

**2010 RDX**

Publications No.

**BII 41786**

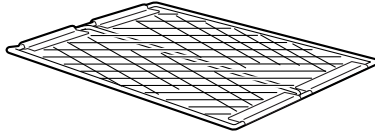
Issue Date

**JUNE 2009**

**Put this information in the glove box with the vehicle owner's manual.**

## PARTS LIST

Cargo net



4 Clips



2 Straps



## INSTALLATION

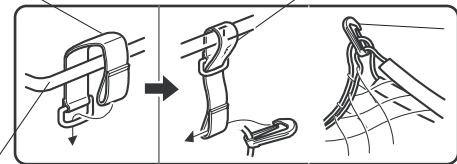
### Installing the Cargo Net in Rear Vertical Position:

- Fold the cargo net in half, and attach one clip to each corner of the folded cargo net.
- Attach one strap to the rearward portion of each metal side rail.
- Attach one clip to each rear cargo hook, and attach one clip to each strap.

2 STRAPS

2 STRAPS

2 CLIPS

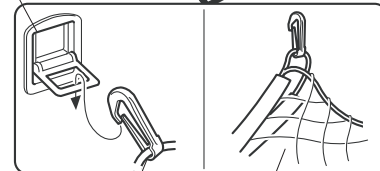


METAL  
SIDE  
RAIL

2 REAR  
CARGO  
HOOKS

CARGO  
NET

CLIPS

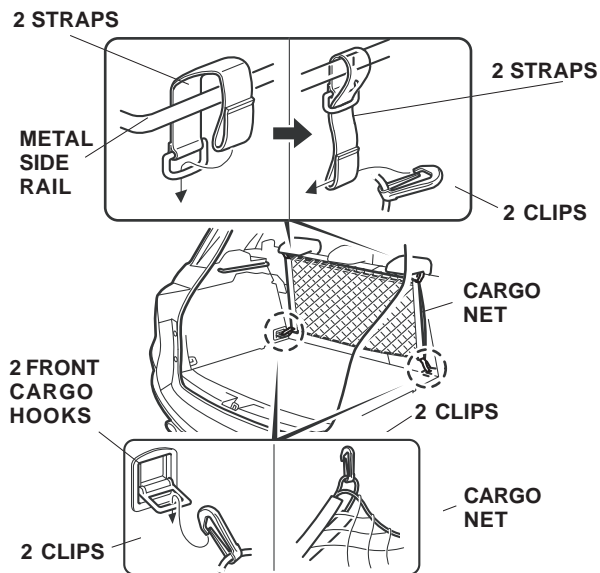


2 CLIPS

CARGO  
NET

### Installing the Cargo Net in the Front Vertical Position:

- Fold the cargo net in half, and attach one clip to each corner of the folded cargo net.
- Attach one strap to the forward portion of each metal side rail.
- Attach one clip to each front cargo hook, and attach one clip to each upper strap.



### Installing the Cargo Net in the Horizontal Position:

Attach one clip to each corner of the cargo net, then attach the clips to the four cargo hooks in the cargo area.

