



# INSTALLATION INSTRUCTIONS

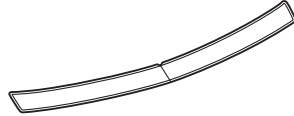
Accessory  
**REAR BUMPER APPLIQUE**  
P/N 08P48-TZ5-200A

Application  
**2017 MDX**

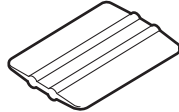
Publications No.  
**VERSION 1**  
Issue Date  
**JUN 2016**

## PARTS LIST

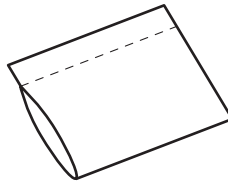
Rear bumper applique



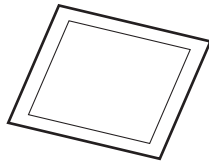
Applicator



Soft sleeve



Alcohol swab



## TOOLS AND SUPPLIES REQUIRED

Shop towel

Masking tape

Spray bottle

3M Protective tape application solution

Felt-tip pen

Ruler

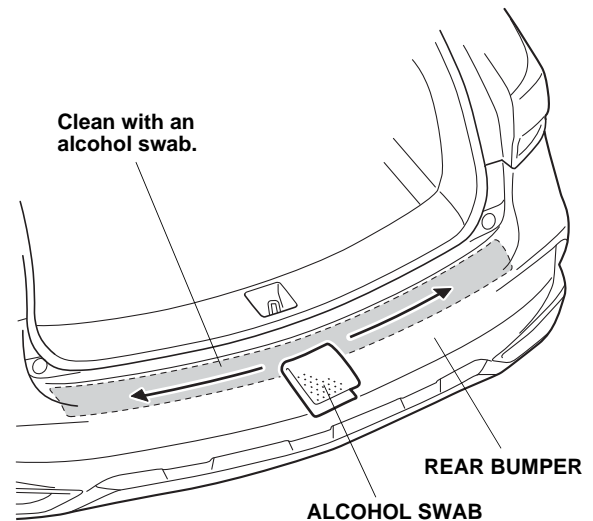
## INSTALLATION

**Client Information:** The information in this installation instruction is intended for use only by skilled technicians who have the proper tools, equipment, and training to correctly and safely add equipment to your vehicle. These procedures should not be attempted by “do-it-yourselfers.”

### NOTE:

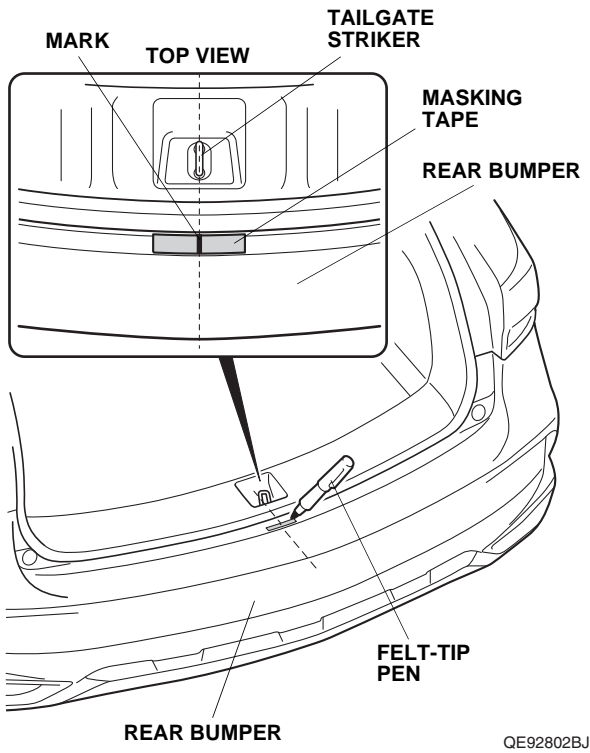
- Be careful not to damage the paint finish.
- This rear bumper applique kit should be installed only if the ambient air temperature is 15° C (60° F) or above.
- To allow the adhesive to cure, do not wash the vehicle for 24 hours. Make sure the client is aware of this.

1. Open the tailgate. Using the alcohol swab, clean the rear bumper where the rear bumper applique will attach.

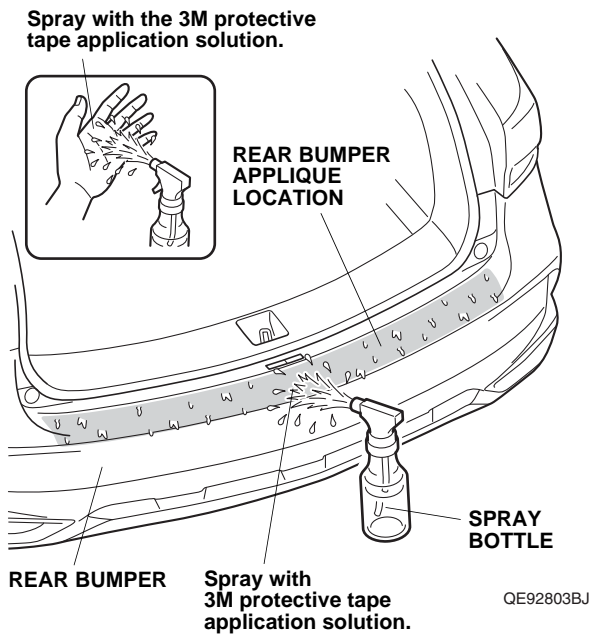


QE92801AJ

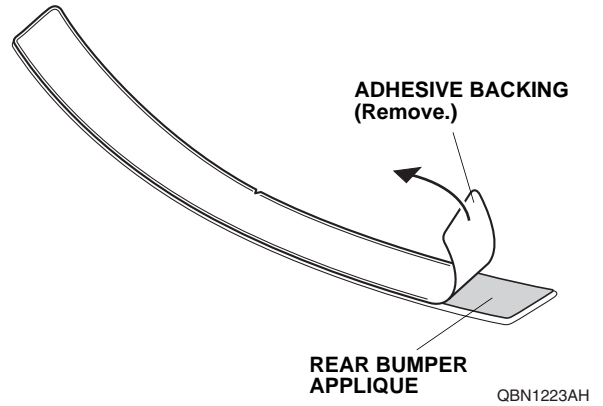
- Attach a strip of masking tape to the rear bumper as shown. Using a felt-tip pen, make a mark on the masking tape at the center of the tailgate striker.



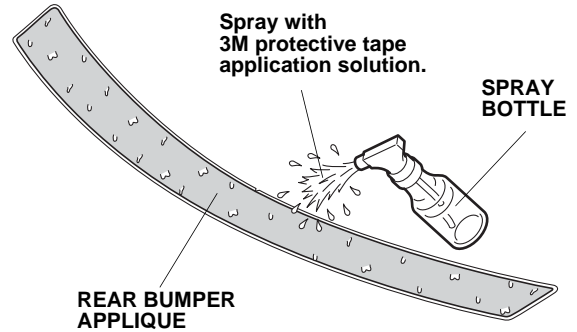
- Using a spray bottle with 3M protective tape application solution, spray the area where the rear bumper applique will attach. Spray some solution on your hands.



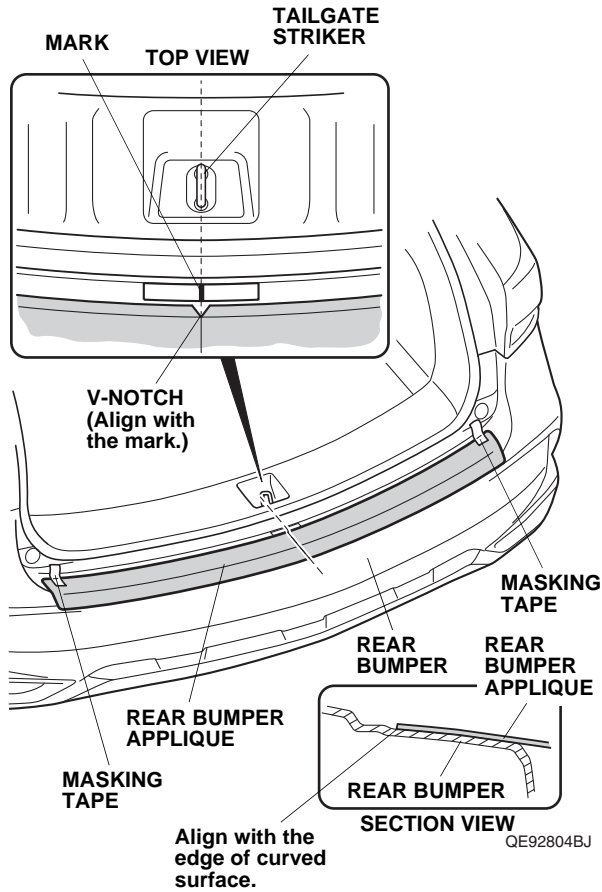
- Remove the adhesive backing from the rear bumper applique.



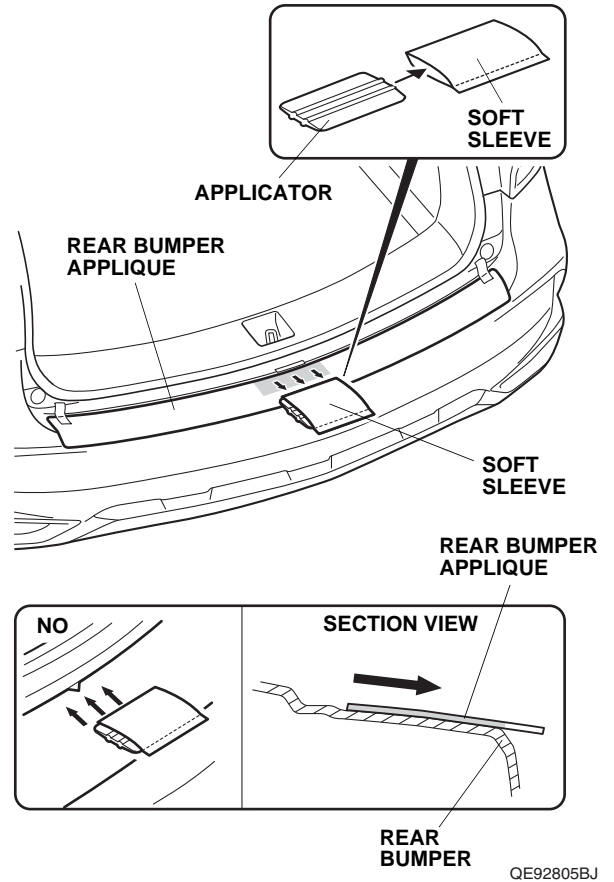
- Using a spray bottle with 3M protective tape application solution, spray the rear bumper applique.



- Align the V-notch on the rear bumper applique with the mark on the masking tape. Align the edge of the rear bumper applique along the edge of the curved surface as shown. Smooth the rear bumper applique against the rear bumper and tape each end at the curved surface.

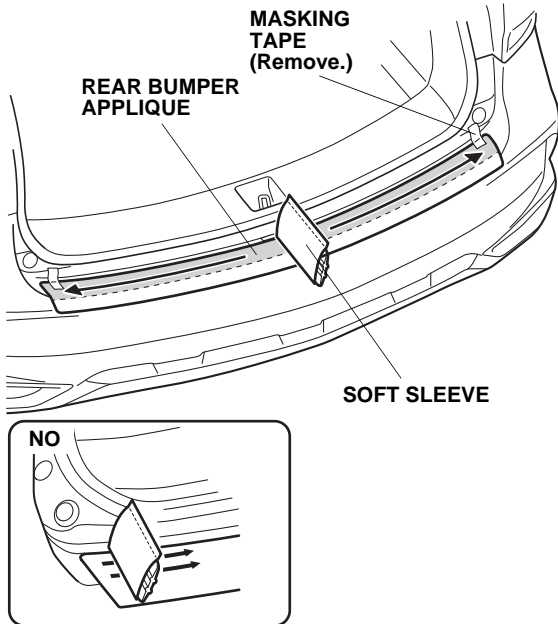


- Insert the applicator into the soft sleeve.



- Starting from the front and working rearward, use the soft sleeve to smooth out the center of the upper section on the rear bumper applique. Move the soft sleeve in one direction only. If you see an air bubble, stop and gently peel up that section to work out the bubble. Work slowly and keep pressure against the rear bumper applique.

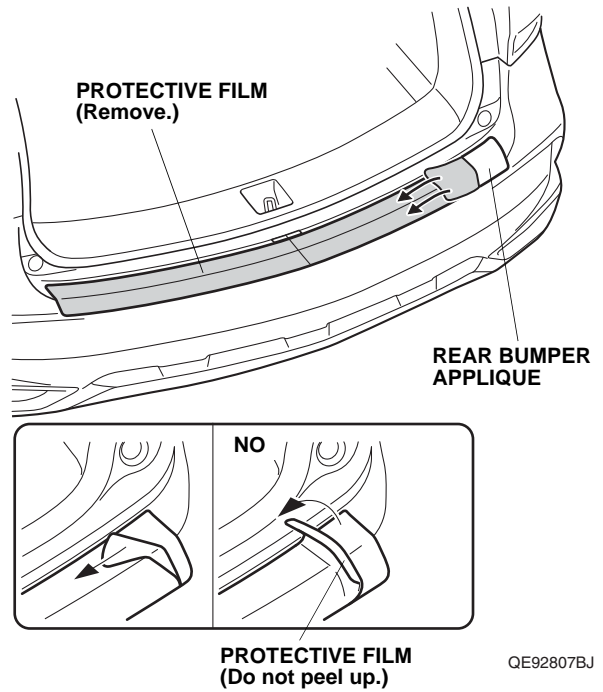
- Starting from the center and working outward, use the soft sleeve to smooth out the left and right sides of the upper section on the rear bumper applique. Move the soft sleeve in one direction only. If you see an air bubble, stop and gently peel up that section to work out the bubble. Work slowly and keep pressure against the rear bumper applique.



QE92806BJ

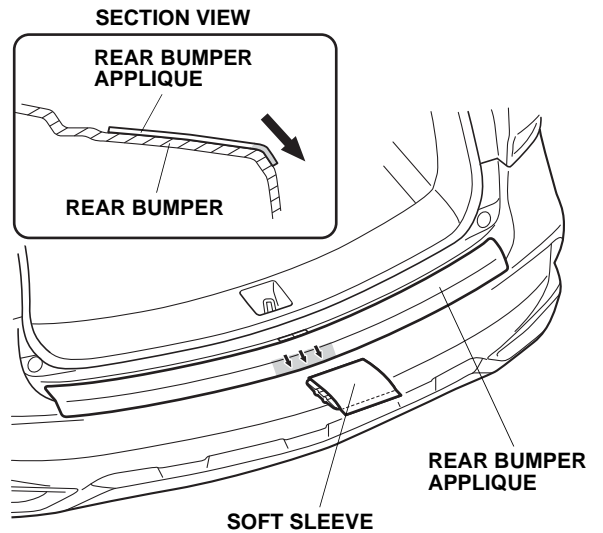
- Remove the masking tape attached in step 6.

- Slowly remove the protective film from the rear bumper applique.  
NOTE: Do not pull up on the protective film.



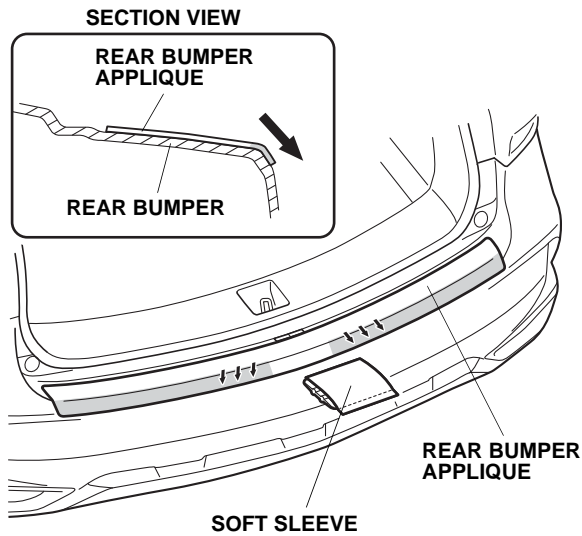
QE92807BJ

- Repeat step 8 at the center of the lower section on the rear bumper applique.



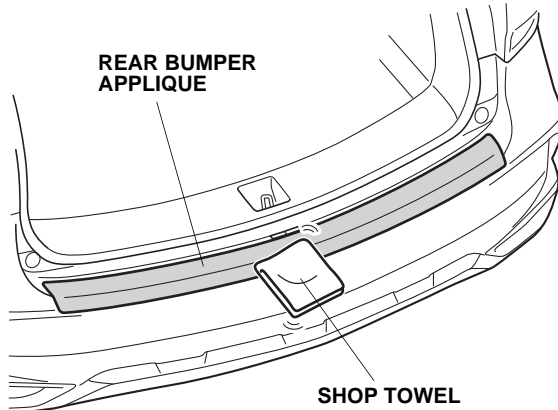
QE92808BJ

13. Repeat step 9 at the left and right sides of the lower section on the rear bumper applique.



QE92809BJ

14. Using a shop towel, wipe off the excess 3M protective tape application solution. Allow the rear bumper applique to dry thoroughly.



QE92810BJ

15. Remove the masking tape attached in step 2.