



INSTALLATION INSTRUCTIONS

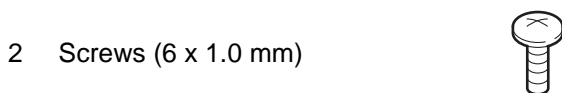
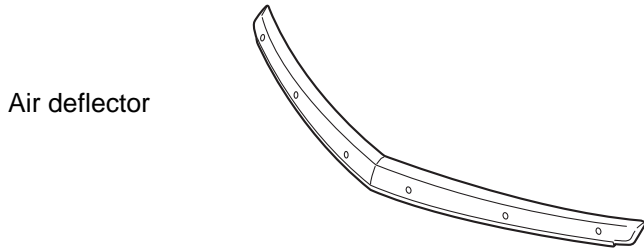
Accessory
AIR DEFLECTOR

Application
2013 MDX

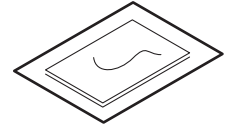
Publications No.
BII 13408
Issue Date
JULY 2012

Put this information in the glove box with the vehicle owner's manual.

PARTS LIST



3 Alcohol pads



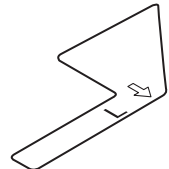
4 Clips



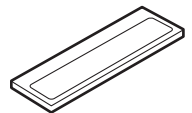
4 Pieces of protection tape



Template



Hood label



TOOLS AND SUPPLIES REQUIRED

#2 Phillips screwdriver

Tape measure

Felt-tip pen

Shop towel

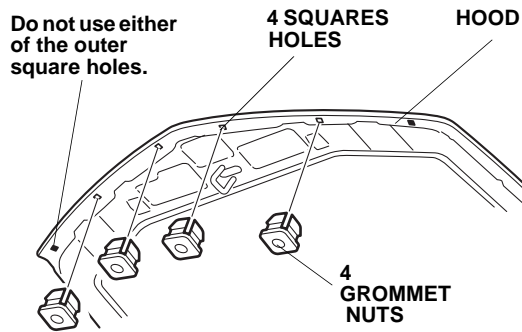
Masking tape

INSTALLATION

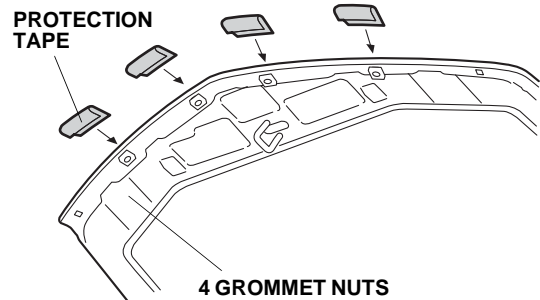
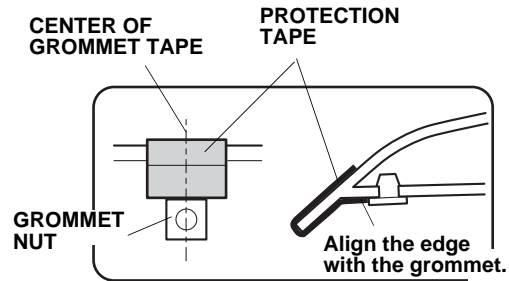
Client Information: The information in this installation instruction is intended for use only by skilled technicians who have the proper tools, equipment, and training to correctly and safely add equipment to your vehicle. These procedures should not be attempted by “do-it-yourselfers.”

NOTE:

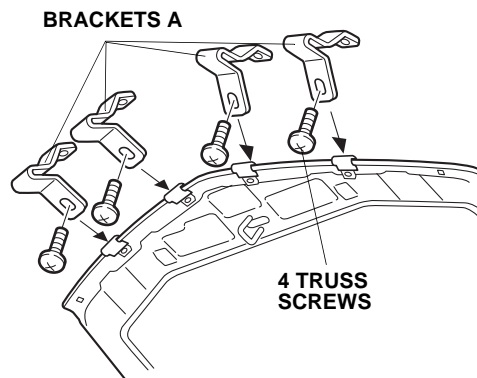
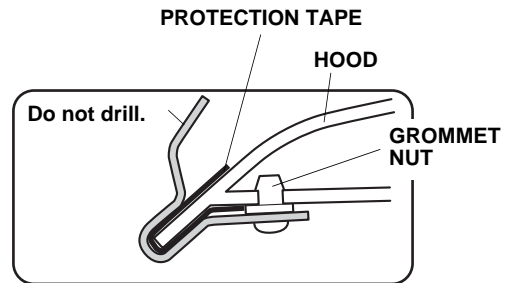
- Be careful not to damage the paint finish when you install the air deflector.
 - This air deflector should be installed only when the ambient temperature is 60°F (15°C) or above.
1. Open the hood. On the underside of the hood, insert four grommet nuts into the four square holes as shown.



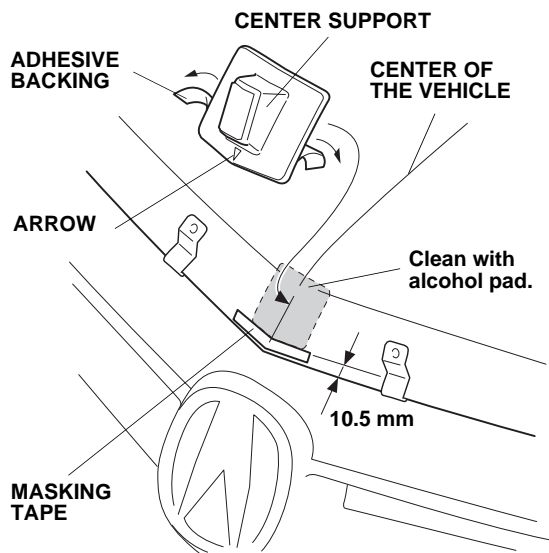
2. Using an alcohol pad, clean the areas where the protection tape will be attached.



3. Remove the adhesive backing from each protection tape, and attach the four pieces around the front of the hood as shown.
4. Position the four brackets A over the hood around the protection tape, and loosely install the four truss screws.

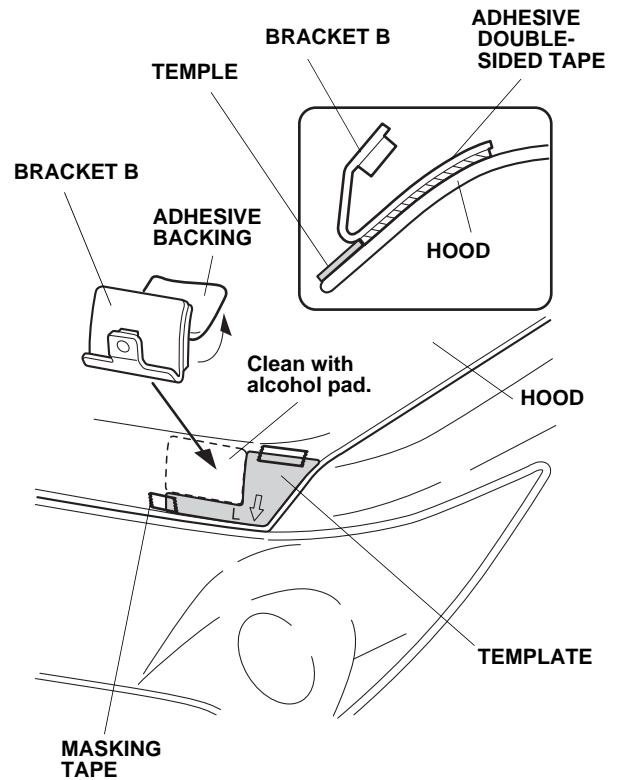


5. Close the hood. Measure and mark the center of the hood as shown. Attach the masking tape as shown. Using an alcohol pad, clean the area where the center support will attach.



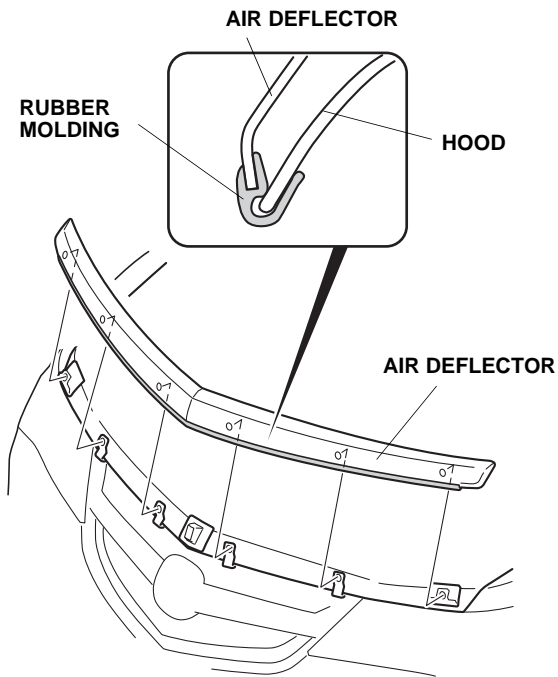
6. Remove the adhesive backing from the center support and attach it to the hood at the mark you made. The arrow on the center support should point to the front of the vehicle. Remove the masking tape.

7. Clean the area where bracket B will attach with an alcohol pad from the kit.

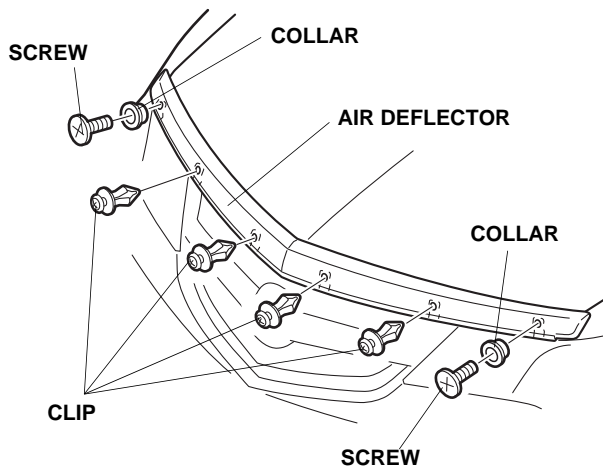


8. Position the template on the hood and secure it with masking tape.
9. Remove the adhesive backing from one bracket B. Attach bracket B to the hood, aligning it with the template as shown.
10. Turn the template over and position it on the other side of the hood. Clean the area, and attach the other bracket B.

11. Position the air deflector on the hood. Make sure the rubber molding is wrapped around the brackets and the front edge of the hood.

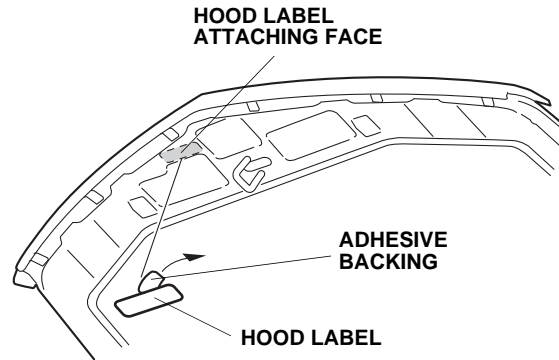


12. Align the holes in the air deflector over the six brackets. Install the two screws (6 x 1.0 mm) with collars, and four clips, then tighten the screws securely.



13. Tighten the four truss screws you installed in step 4.

14. Using an alcohol pad, clean the areas where the hood label will be attached.
15. Remove the adhesive backing from the hood label and attach it to the hood in the area shown. After attaching the label, hold it firmly against the hood with your palm, particularly at the edges, for 30 seconds.



NOTE: Tell your client not to wash the vehicle for 24 hours, to give the adhesive time to cure.